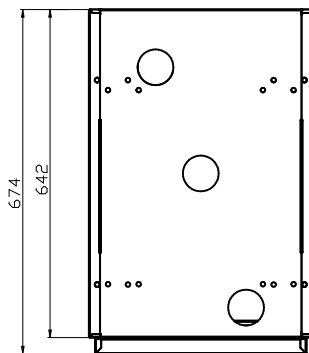
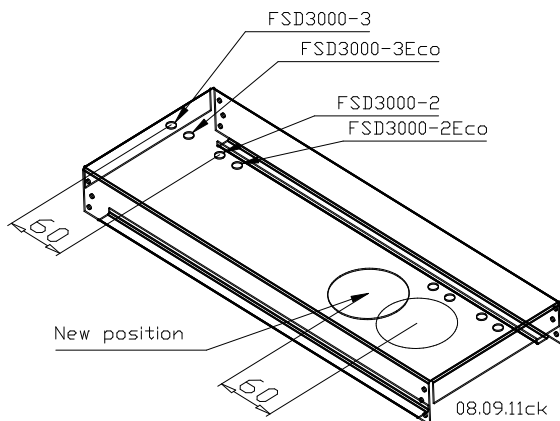
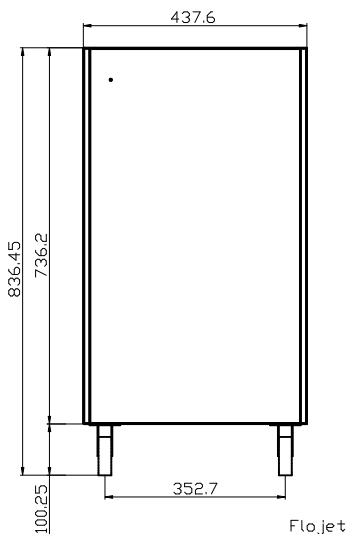
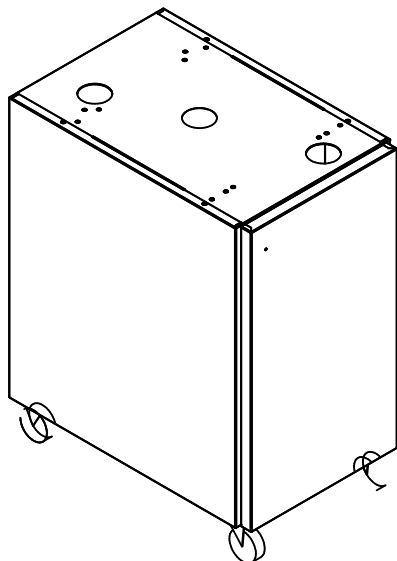


## Trolley for Juice Maker



Please read the operating instructions carefully before using.

# EG-Declaration of Conformity



**Product:** Trolley for Juice Maker  
**Manufacturer:** K. & M. Holland GmbH  
Industriestraße 14  
D-94327 Bogen

Herewith we declare that this trolley corresponds to the basic EEC directives for security and health demands on the basis of its conception and model, as well as of the type that we brought in circulation.

This declaration loses its validity in case of modification of the machinery to which we did not agree.

## **Relevant EC Directives:**

**2004/108/EG** EC Directive for Electromagnetic Compatibility  
EN 55014-1:2006+A1:2009  
EN 55014-2:1997+A2:2008  
EN 61000-3-2:2006+A1:2009+A2:2009  
EN 61000-3-3:2008

**2006/42/EG** EC Machinery Directive  
EN ISO 12100:2010  
EN 60335-2-89:2010 in Verbindung mit  
EN 60335-1:2002+A11:2004+A1:2004+A12:2006+  
Corr. 2006 + A2:2006+Corr. 2007-01+Corr. 2007-02+A13:2008+  
Corr. 2009+Corr. 2010+A14:2010

Bogen, 25. January 2012

A handwritten signature in black ink, appearing to be 'K. Holland', written over a horizontal line.

Klaus Holland, Managing Director

## Assembly instructions

- Screw the handle on the door (items included).
- Replace the standard feet of the juice maker with the connection pins (pictures 1–2).



- Place the juice maker on the trolley. Make sure that the connection pins fit into the openings (picture 3). Fix the connection pins (picture 4).



**The internal shelf can be ordered from your trolley-supplier.**



### IMPORTANT

Please clean the trolley minimum 1 time per month.

For the cleaning of the housing don't take aggressive cleaners, only neutral, disinfective cleaners.

**To avoid damages on the cables please ensure that the protective rubber is on the right position.**



**To install the water pump please see the separate user manual 'Flowjet'.**